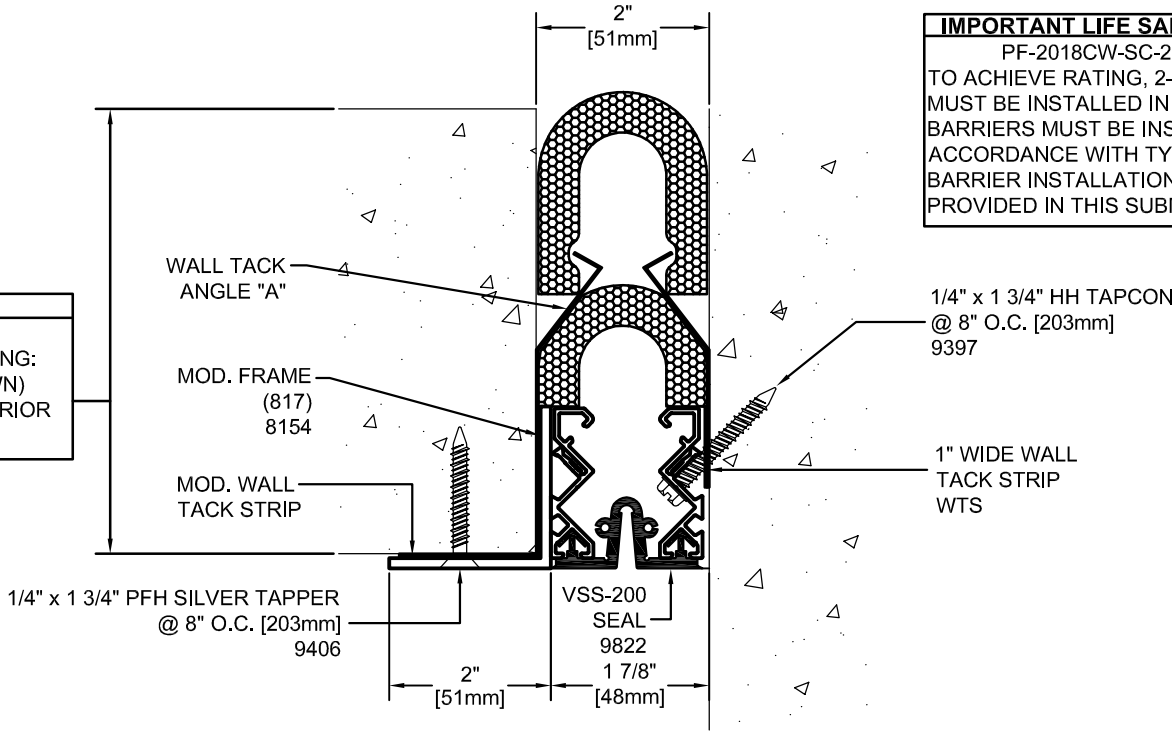


**IMPORTANT LIFE SAFETY NOTE**  
 NOTE 2 BARRIERS REQUIRED.  
 MINIMUM WALL DEPTH REQUIRED FOR RATING:  
 5.5" FOR SINGLE SIDE INSTALLATION (SHOWN)  
 ARCHITECT / CONTRACTOR MUST VERIFY PRIOR  
 TO FABRICATION



**IMPORTANT LIFE SAFETY PRODUCT NOTE**  
 PF-2018CW-SC-2-1-M  
 TO ACHIEVE RATING, 2-HOUR FIRE BARRIER  
 MUST BE INSTALLED IN 2-HOUR RATED WALL.  
 BARRIERS MUST BE INSTALLED IN STRICT  
 ACCORDANCE WITH TYPICAL WALL FIRE  
 BARRIER INSTALLATION INSTRUCTIONS  
 PROVIDED IN THIS SUBMITTAL.

Model	Nominal "JT"	Joint Opening "JT"				Total Movement	Mat. Code
		Seismic Min.	Thermal Min.	Thermal Max.	Seismic Max.		
VSSL-200-I_WPF-M	2"	1.375"	1.5"	2.5"	3"	2.625"	

Representative: \_\_\_\_\_ Customer: \_\_\_\_\_ Project: \_\_\_\_\_ Location: \_\_\_\_\_ Project Number: \_\_\_\_\_

**MM SYSTEMS**  
 50 MM WAY  
 PENDERGRASS, GA. 30567  
 PHONE: 706-824-7500  
 800-241-3460  
 FAX: 706-824-7501  
[www.mmsystemscorp.com](http://www.mmsystemscorp.com)  
 For Spec-Data, Installation Guides, or movement requirements, contact MMSC

**RIGHTS OF DESIGN**  
 All rights of design, detail, engineering and/or invention contained herein are the property of MM Systems Corporation and hereby reserved and are not to be reproduced or provided to any other party. MM Systems Corporation reserves the right to amend or withdraw any information contained herein without notice and will not be liable for any inaccuracy or ambiguity of said information.

**Model: VSSL-200-I\_WPF-M**

Drawn by: LMP	Scale: NTS	Drawing Number:
SHT. . OF .	Issue Date: 09-02-14	